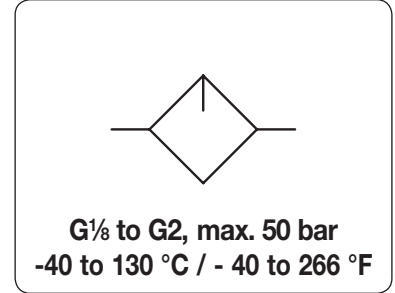


Description	Lubricator for compressed air with bowl without sight glass, extremely robust, with manual adjustment of oil drip rate.	
Bowl	stainless steel version without sight glass up to G1,	brass version without sight glass at G1½ and G2
Operating pressure	max. 50 bar	
Temperature range	0 °C to 60 °C / 32 °F to 140 °F for NBR/Buna-N or FKM, for appropriately conditioned air down to -20 °C / -4 °F 0 °C to 130 °C / 32 °F to 266 °F for high temperature version -40 °C to 60 °C / -40 °F to 140 °F for low temperature version	
Material	Body: brass Bowl: stainless steel 316L / material no. 1.4404 at sizes G½ to G1, Elastomer: NBR/Buna-N, optionally FKM Inner valve: brass and plastic (not at high temperature version)	brass at G1½ and G2



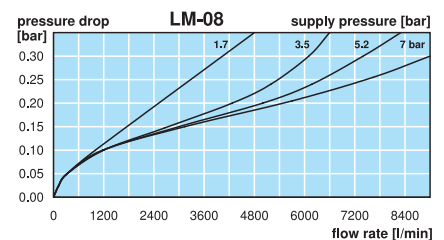
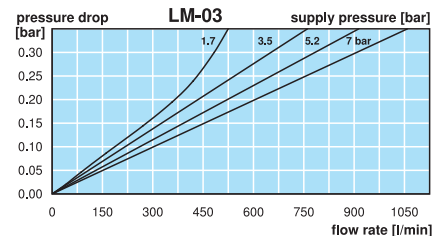
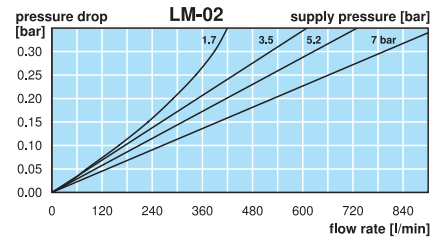
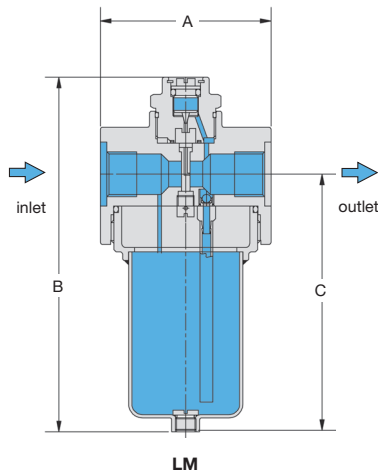
Dimensions			Bowl	Flow	Operating	Connection	Order
A	B	C	Design	rate	pressure	thread	number
mm	mm	mm	made of	m³/h*1	l/min*1	max. bar	G

Lubricator made of brass				operating pressure max. 50 bar				LM	
65	154	110	stainless steel	0.15	51	850	50	G½	LM-01
					54	900		G¼	LM-02
					60	1000		G¾	LM-03
80	167	121	stainless steel	0.28	144	2400	50	G½	LM-04
					150	2500		G¾	LM-A6
					480	8000		G¾	LM-06
100	222	165	stainless steel	0.58	480	8000	50	G1	LM-08
					492	8200		G1	LM-08
					720	12000		G1½	LM-12
200	268	201	brass	1.50	720	12000	50	G1½	LM-12
					780	13000		G2	LM-16



Special options, add the appropriate letter

NPT	connection thread		LM-..N
8 litre bowl		for G1½ and G2	LM-1.08
24 litre bowl		for G1½ and G2	LM-1.24
down to -40 °C / -40 °F	low temperature version		LM-..X51
up to 130 °C / 266 °F	high temperature version		LM-..X54
FKM elastomer	0 °C to 60 °C / 32 °F to 140 °F		LM-..V
flange connection	see chapter for stainless steel devices / flanges		LM-..F.



*1 at 7 bar operating pressure and 0.33 bar pressure drop

Extensions: see chapter for FRL service units

PDF CAD
www.aircom.net



Order example:
LM-01